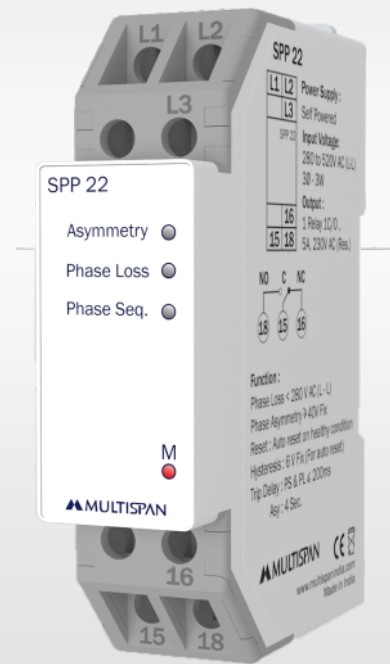


# SPP-22

## Single Phase Preventor



### Features

- Compact Size
- LED Indicate For Healthy / Faulty Status
- Self Powered
- High Precision & accuracy

### Protection Available

- ▶ Phase Asymmetry
- ▶ Phase Sequence
- ▶ Phase Loss

### Specification

System	3Ø - 3W
Supply Voltage	280 to 520V AC (L-L)
Phase Loss	< 280V AC (L-L)
Phase Asymmetry	40V AC (L-L)
Hysteresis	8 V
Reset	Auto Reset on Removal of fault condition
Output	1 C/O, 10 A 250V AC 10A, 28V DC (Resistive Load)

### LED Indication

LED 1	Power On	LED 3	Phase Loss
LED 2	Asymmetry	LED 4	Phase seq.

### Application

Electrical Control Panel  
 Submersible Pump  
 Road Construction Panel  
 MCC Panel  
 Industrial Chiller And HVAC System  
 D.G. Set

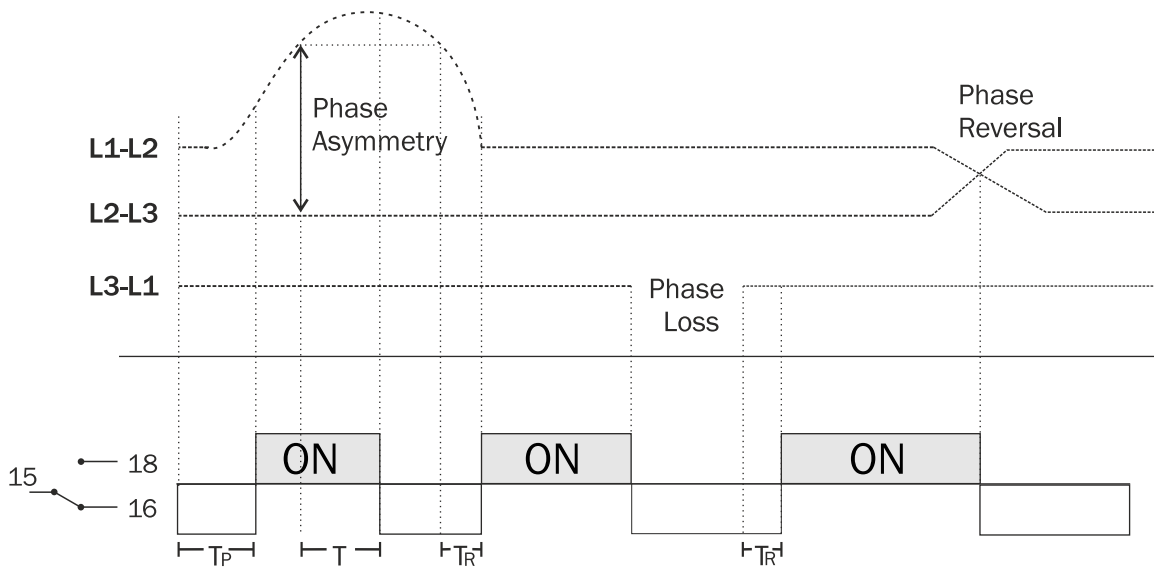
### Physical

Mounting Type	Din Rail Mount
Size ( H x W x D )mm	90 X 22.5 X 66.35
Material	ABS

### Environmental

Working Temperature	0 to 55 °C
Storage Temperature	0 to 55 °C
Relative Humidity	95% RH Non-condensing
Warm up time	5 minutes

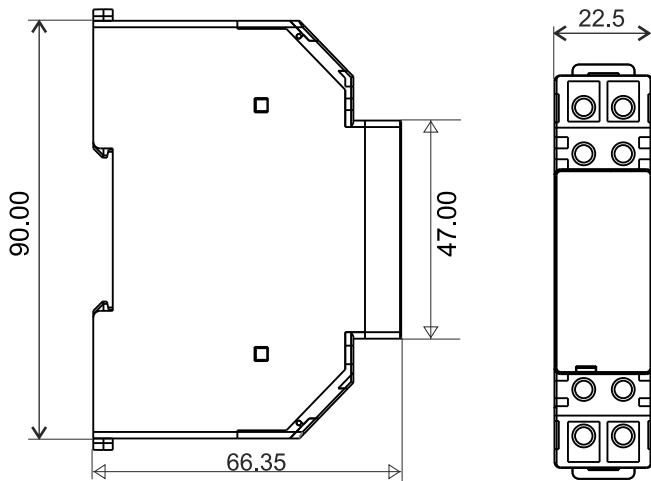
# Control Function



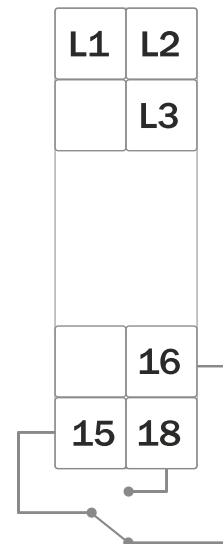
Phase Loss < 280V AC (L-L)  
 Phase Asymmetry 40V AC (L-L)  
 Hysteresis 8 V

$T_p$  = Power ON Delay (<200ms)  
 $T$  = Trip Delay (<5 Sec)  
 $T_R$  = Reset Time (<200ms)

## Dimension



## Terminal Connection



reserve the right to change specifications without prior notice. Printing and typographical errors reserved.  
 Product improvement and upgrade is a constant procedure. So for more updated operating information & support contact us.