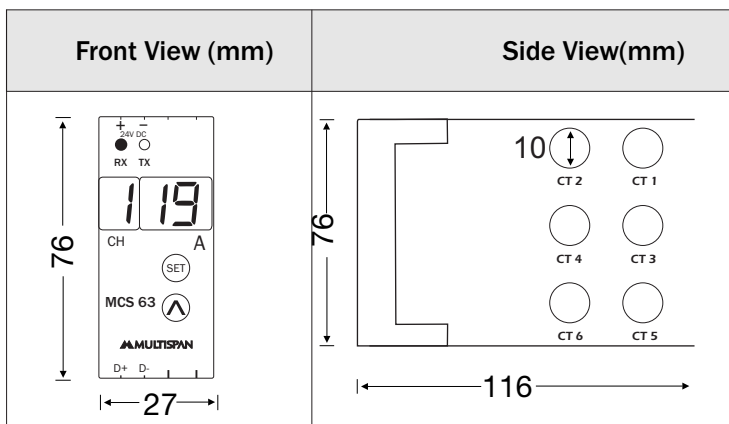


ENVIRONMENTAL CONDITION :

Working Temperature	0 to 55 °C
Storage Temperature	0 to 55 °C
Relative Humidity	95 % RH Non - Condensing

MECHANICAL DIMENSION



TECHNICAL SPECIFICATION

INPUT SPECIFICATION :

Current AC	1 To 60 Amp.
Burden	< 0.2VA
Overload	Up to 65A continuous

CALCULATED PARAMETERS :

6 Different CT Current

DISPLAY & KEYS :

Display	3 Digit, 7 Seg., 0.36", Red.
Keys	SET, INC

DIMENSION :

Size (mm)	76(H) x 27(W) x 116(D)
-----------	------------------------

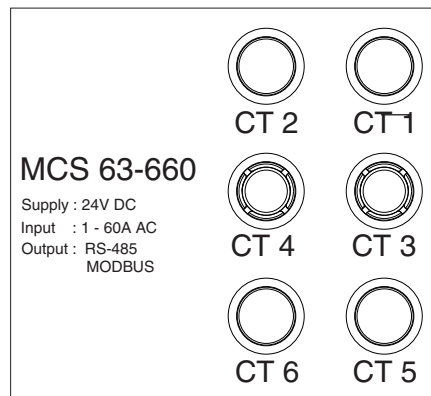
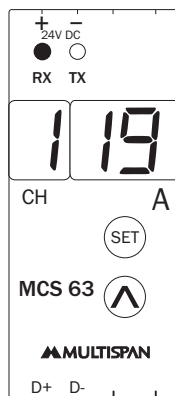
COMMUNICATION SPECIFICATION :

Protocol	Modbus RTU Serial
Standard	RS - 485
Communication method	2 wire half duplex
Data frame	N-8-0,N-8-1,N-8-2
Communication rate	2400,4800,9600,19200,38400
Slave Address	1 to 127
Data type	Integer,Float

AUXILIARY POWER SUPPLY :

Power Supply	24 V DC
--------------	---------

TERMINAL CONNECTION

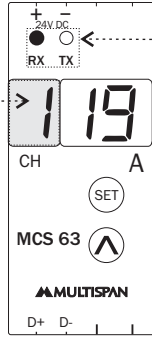


KEY OPERATION

FUNCTION	KEY PRESS
OPERATION MODE	
To Enter in Parameter Setting	SET
To View Different CT Current (To Change page)	▲
To Change Scroll & Hold Mode	▲ For 3 Sec
PARAMETER SETTING MODE	
To Change Parameter Value	▲
To Save & Exit From Parameter Setting Mode	SET For 3 sec

DISPLAY INDICATION

1st Digit Indicate CT channel no. & 2nd & 3 digit show Current Value of that Channel



Transmit & Receive Of Data LED

MODBUS

Slave Address	1-127
Baudrate	2400,4800,9600,19200,38400 bps
Parity	None,Even,Odd
Datatype	Integer,Float (32 Bit Little Endian Byte Swap)
Read Function Register	0x03,0x04
Write Function Register	0x06,0x10

Note :- When Parameter 32000 = Parameter not available

Sr.No	Access Type	Parameter	Register Data Type		
			Integer	Float	
1	Read	Current Of CT 1	0	0	
2	Read	Current Of CT 2	1	2	
3	Read	Current Of CT 3	2	4	
4	Read	Current Of CT 4	3	6	
5	Read	Current Of CT 5	4	8	
6	Read	Current Of CT 6	5	10	
7	R/W	Address	8	16	
8	R/W	Baudrate	9	18	
		Selection			Value
		B 2400			0
		B 4800			1
		B 9600			2
		B 19200			3
B 38400	4				
9	R/W	Parity	10	20	
		Selection			Value
		None			0
		Even			1
Odd	2				
10	R/W	Datatype	11	22	
		Selection			Value
		Sign Integer			0
Float	1				
11	R/W	Scan Time	12	24	
12	R/W	Frame delay	13	26	

PARAMETER SETTING

