

PS24-1A

Switch Mode Power Supply



Features

- 24W rated power
- Compact Size
- LED Indicate For Power ON
- Din Rail Mount

Protection Available

- ▶ Overload, Output short circuit, Over Temperature

Input Specification

Supply Voltage	100 to 270V AC \pm 10%,(L-N)
Frequency Range	50/60 Hz
AC Current (TYP.)	0.49A@100V AC 0.24A@270V AC
Efficiency (TYP.)	>85%@230VAC
Start UP time	<1 sec@230VAC & <3 sec@100VAC (Full Load)

Output Specification

Output Voltage	24V DC
Output Current	1A at 24V
Ripple & noise	<1% of Vout*
Line & Load Regulation	\pm 1%
Hold UP Time	<60ms at 230VAC & >15ms at 100VAC (Full Load)

LED Indication

LED 1 Power On

Protection

Input Fuse	2A -250V AC Internal
Output Over Load	110% to 120% of rated output Current protection Protection Type : hiccup mode; recover automatically after fault condition is removed
Output Short Circuit	Hiccup mode when output is shorted;Recovers automatically after fault condition is removed.
Over Temperature	Power supply shuts down when the temperature goes above specified limit; Turns on automatically after temperature goes back to Normal operating conditions.
Isolation between Input and Output :	2.5 KV

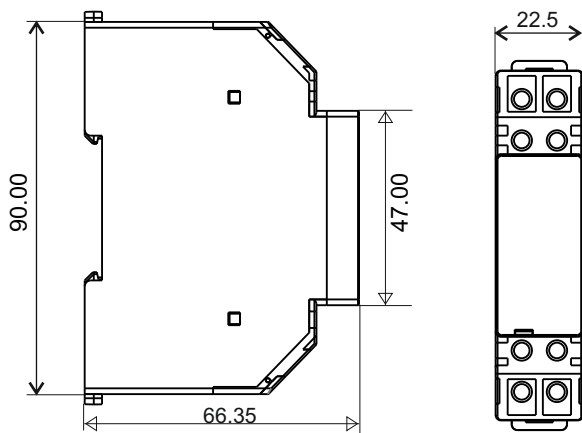
Physical

Mounting Type	Din Rail Mount
Size (H x W x D)mm	90 X 66.5 X 22.5
Material	PC

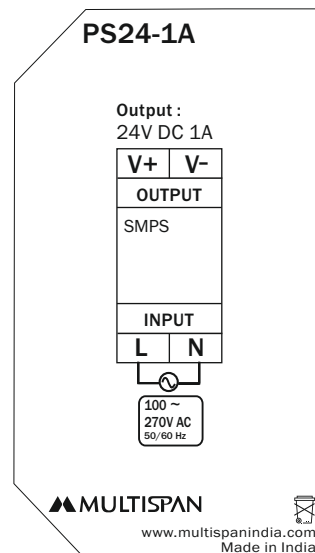
Environmental

Working Temperature	-25 °C to 50 °C * De-rate output power at 3w/°C above +50 °C Ambient
Storage Temperature	-40 °C to 85 °C
Relative Humidity	95% RH Non-condensing

Dimension



Terminal Connection



We reserve the right to change specifications without prior notice. Printing and typographical errors reserved.
Product improvement and upgrade is a constant procedure. So for more updated operating information & support contact us.